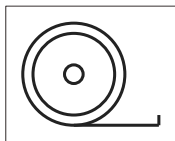


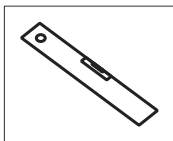
Installation Manual for LED Bathroom Mirror

(Suitable for the no switch products installation by hanging bar or hardy hole)

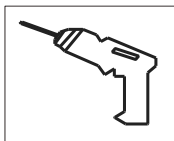
Installation tools (as shown below)



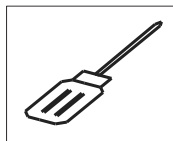
Flexible rule



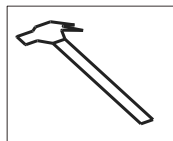
Leveling instrument



Churn drill



Screwdriver

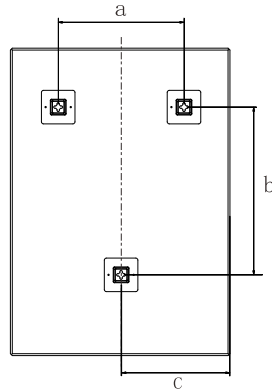
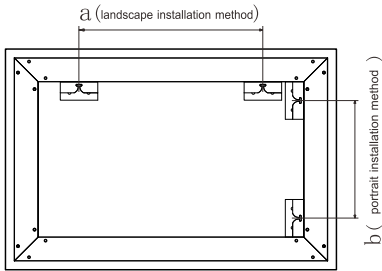
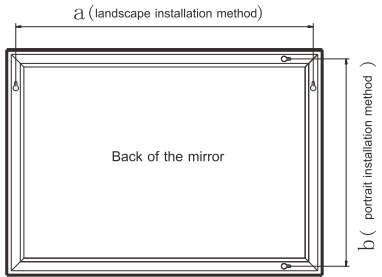


Hammer

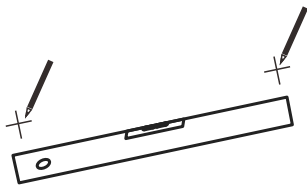
Warm tips:

- 1、 Please do not use,if the product have any bocken.
- 2、 During operation,never put hard and sharp materials directly against the mirror surface.

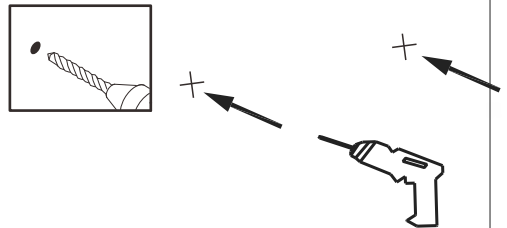
A / Hardy Holes Installation Manual (Instruction for bathroom mirror)



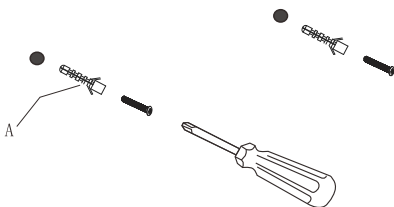
- ① please choose portrait or landscape installation method first. To use the measure tape to measure the distance between the two holes.



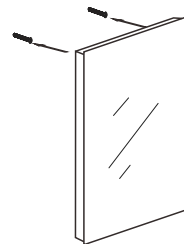
- ② Horizontal the level ruler
Mark the distance between two holes on the wall with a pen



- ③ To use the drill to have the holes

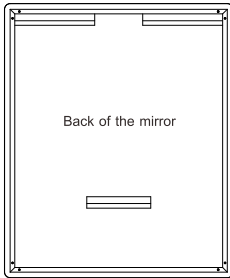


- ④ (Apply to the solid wall only)
Put the expansion plug into the hole in the wall, put the hanging bar hole against the hole in the wall, fix the hanging bar in the wall with screws

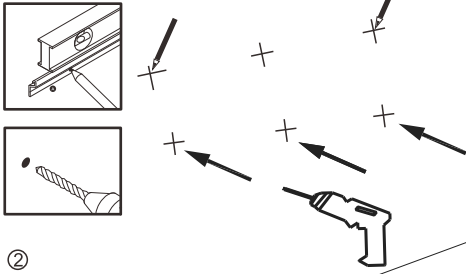


- ⑤ Hang up the mirror
shake left and right to see if it is stable

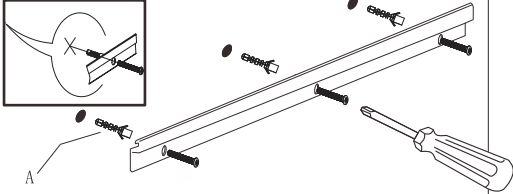
B / Hanging bar Installation Manual (Instruction for bathroom mirror)



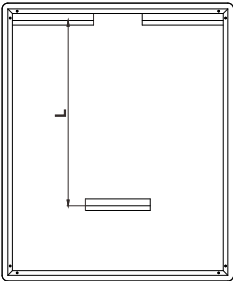
Back of the mirror



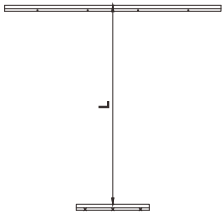
② Horizontal the hanging bar
Make a mark on the wall through the hanging bar hole and drill the holes in the mark with a drill



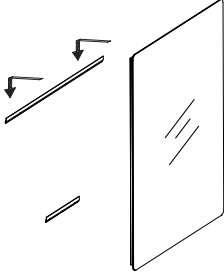
③ (Apply to the solid wall only)
Put the expansion plug into the hole in the wall, put the hanging bar hole against the hole in the wall, fix the hanging bar in the wall with screws



④ Measure the distance between these two hanging bar

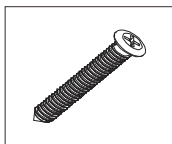


⑤ According to the distance, place the shorter hanging bar in the lower center of the longer hanging bar, horizontal the shorter hanging bar, mark with a pen in the hanging bar hole
Drill hole with a Churn drill

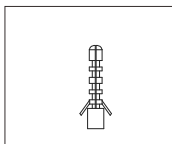


⑥ Hang up the mirror
shake left and right to see if it is stable

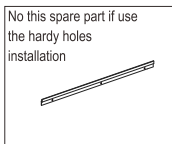
parts list



M4 screw



D6 expansion screw



No this spare part if use the handy holes installation

Aluminum hanging bar