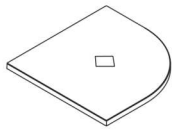


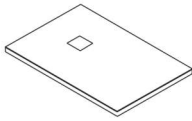


Stone

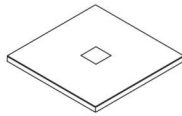
shower tray installation instructions



Corner



Rectangular

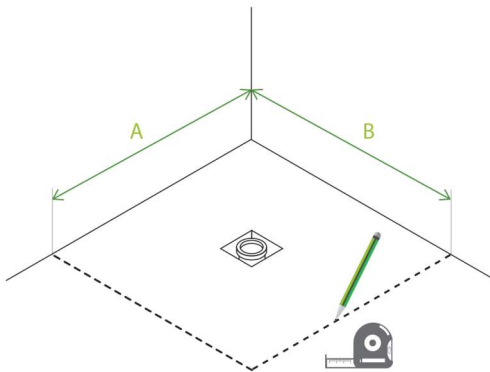


Square

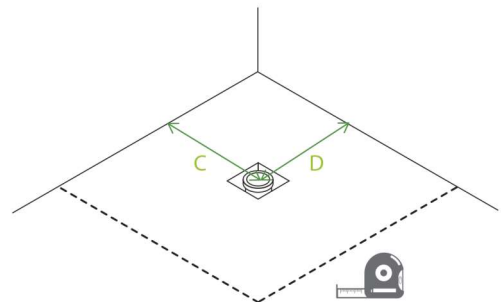


Reversible

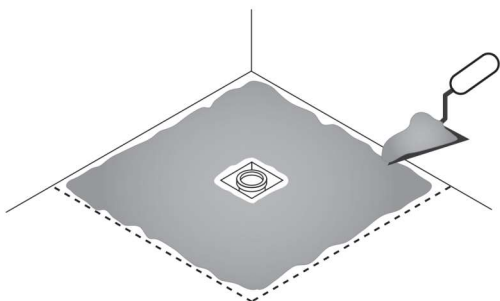
- 1** Place the shower tray on the floor area into the chosen position and mark the maximum overall dimensions (A and B).



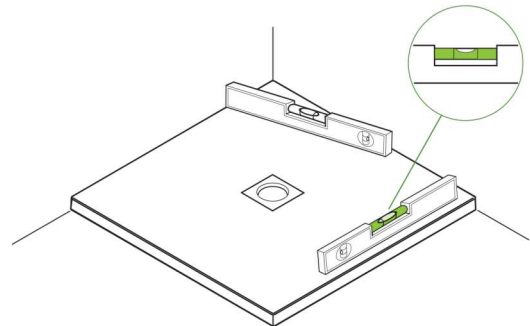
- 2** Place the shower tray ensuring it is perfectly level. Measure the existing distances (C and D) between the wall and the centre of the shower tray waste, in order to facilitate the subsequent installation of the waste fitting. Remove the shower tray and with the help of the previously marked measures connect the waste to the sewage pipe.



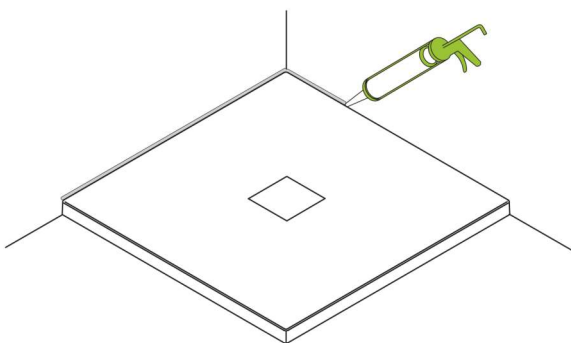
- 3** Place the glue or the cement mortar into the drawn perimeter, in order to make integral the bottom edge of the shower tray with the screed, taking care to use the right quantity for the adjustment at level.



- 4** Carefully lower the shower tray onto the bed of cement mortar, making sure that the floor waste is perfectly coaxial with the shower tray waste hole (make sure the seal of the waste is free of impurities). Check with the spirit level that the shower tray surface is perfectly level.



- 5** Proceed with the fixing of the last piece of the waste and trap, following the manufacturer's instructions. Apply the elastic silicone along the perimeter of the shower tray, in contact with both the wall and the floor area, so as to completely seal the surfaces.



WARNING:

- Please note that although these instructions are comprehensive we always recommend that a technically competent installer undertakes the installation.

- Your shower tray may be heavy and to avoid injury should always be considered a two person lift.
- When handling your shower tray take care not to damage the bottom edges and when installing take particular care to protect the visible surfaces from impact damage or abrasions.
- Check that the shower tray is the colour, size, shape and type you require. (The sizes indicated may vary by + or - 3mm)
- Unpack and check for any damage. Do not install if not satisfied and contact your local supplier.
- If you install this shower tray in conjunction with a steam unit, you must ensure that the steam outlet is a minimum of 350mm from the top of the tray.
- The shower tray should be cleaned regularly with warm, soapy water only and dried with a cloth. Never use scourers, abrasives, bleach or other chemical cleaners.

FITTING OF THIS TRAY WILL BE TAKEN AS ACCEPTANCE OF THE QUALITY.